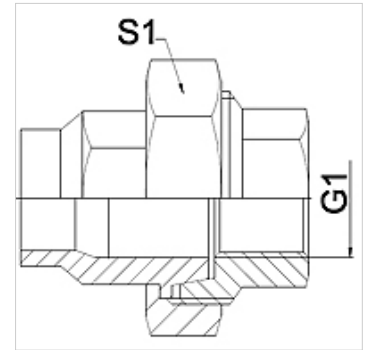


## Properties

<b>Application</b>	Connection fitting for metal hoses
<b>Connection 1</b>	imperial internal thread, cylindrical
<b>Sealing form 1</b>	conical seat
<b>Standard</b>	DIN EN 10226 / ISO 7-1
<b>Construction</b>	straight
<b>Design</b>	3-part threaded connection
<b>Material</b>	Stainless steel



## Note

Width across flats values are listed for reference purposes!

## Ordering information

Other designs available on request

## Item

Identification	DN	PN (bar)	G1	S1 (mm)
WA 004 VB VA	4	50	Rp 1/8"	27,0
WA 006 VB VA	6	50	Rp 1/4"	27,0
WA 010 VB VA	10	50	Rp 3/8"	32,0
WA 013 VB VA	13	50	Rp 1/2"	41,0
WA 020 VB VA	20	50	Rp 3/4"	50,0
WA 025 VB VA	25	50	Rp 1"	55,0
WA 032 VB VA	32	40	Rp 1.1/4"	70,0
WA 040 VB VA	40	40	Rp 1.1/2"	75,0
WA 050 VB VA	50	40	Rp 2"	90,0
WA 065 VB VA	65	25	Rp 2.1/2"	110,0
WA 080 VB VA	80	25	Rp 3"	130,0
WA 100 VB VA	100	25	Rp 4"	130,0

## Product versions

<b>WA VB</b>	Connector ... VB, malleable cast iron, Malleable cast iron
<b>WA VB RG</b>	Connector ... VB, red bronze, Red bronze