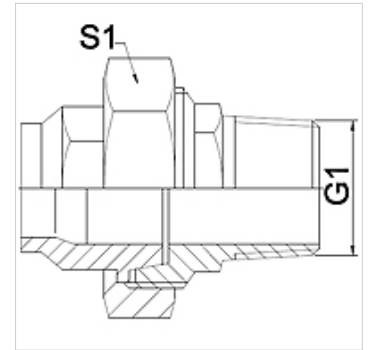


Properties

Application	Connection fitting for metal hoses
Connection 1	imperial outer thread, conical
Sealing form 1	conical seat
Standard	DIN EN 10226 / ISO 7-1
Construction	straight
Design	3-part threaded connection
Material	Stainless steel



Note

Width across flats values are listed for reference purposes!

Ordering information

Other designs available on request

Item

Identification	DN	PN (bar)	G1	S1 (mm)
WA 006 VC VA	6	50	R 1/4"	27,0
WA 010 VC VA	10	50	R 3/8"	32,0
WA 013 VC VA	13	50	R 1/2"	41,0
WA 020 VC VA	20	50	R 3/4"	50,0
WA 025 VC VA	25	50	R 1"	55,0
WA 032 VC VA	32	40	R 1.1/4"	70,0
WA 040 VC VA	40	40	R 1.1/2"	75,0
WA 050 VC VA	50	40	R 2"	90,0
WA 065 VC VA	65	25	R 2.1/2"	110,0
WA 080 VC VA	80	25	R 3"	130,0

Product versions

WA VC	Connector ... VC, malleable cast iron, Malleable cast iron
WA VC RG	Connector ... VC, red bronze, Red bronze