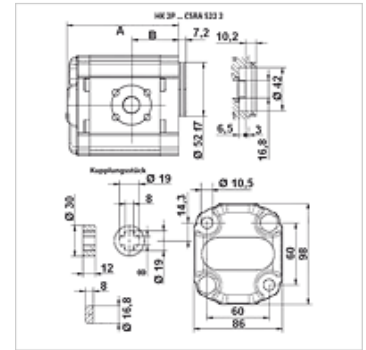
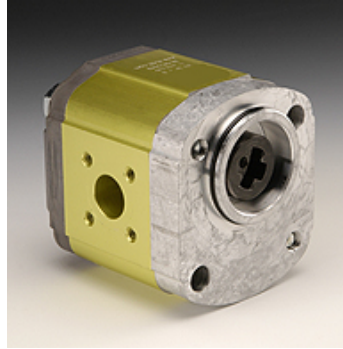


HK 2P CSRA

Gear pump, size 2 CSRA

Properties

| | |
|-----------------------------------|---|
| Design | housing type BH (attachment top right-hand, bottom left-hand) |
| Pitch circle pressure side | 35 / M6 |
| Pitch circle suction side | 40 / M6 |
| Scope of supply | incl. coupling piece |
| Material | Housing: Aluminium Front flange, end cover: Aluminium |



Description

German standard pump – hole pattern 60 x 60 – dia. 52 – claw 16.8 x 8 – flange fitting

Ordering information

Further pump versions available on request

Item

| Identification | VFU (cc) | p1 max. (bar) | p2 max. (bar) | p3 max. (bar) | A (mm) | B (mm) | Direction of rotation | Speed min. (rpm) | Speed max. (rpm) | Weight (kg) |
|------------------|----------|---------------|---------------|---------------|--------|--------|-------------------------|------------------|------------------|-------------|
| HK 2P 41 31 CSRA | 4,2 | 260 | 280 | 300 | 87,2 | 38,6 | anti-clockwise rotating | 700 | 3500 | 2,10 |
| HK 2P 41 32 CSRA | 4,2 | 260 | 280 | 300 | 87,2 | 38,6 | clockwise rotating | 700 | 3500 | 2,10 |
| HK 2P 43 31 CSRA | 6,0 | 260 | 280 | 300 | 90,2 | 38,6 | anti-clockwise rotating | 700 | 3500 | 2,20 |
| HK 2P 43 32 CSRA | 6,0 | 260 | 280 | 300 | 90,2 | 38,6 | clockwise rotating | 700 | 3500 | 2,20 |
| HK 2P 45 31 CSRA | 8,4 | 260 | 280 | 300 | 94,2 | 49,6 | anti-clockwise rotating | 700 | 3500 | 2,30 |
| HK 2P 45 32 CSRA | 8,4 | 260 | 280 | 300 | 94,2 | 49,6 | clockwise rotating | 700 | 3500 | 2,30 |
| HK 2P 47 31 CSRA | 10,8 | 260 | 280 | 300 | 98,2 | 45,0 | anti-clockwise rotating | 700 | 3500 | 2,40 |
| HK 2P 47 32 CSRA | 10,8 | 260 | 280 | 300 | 98,2 | 45,0 | clockwise rotating | 700 | 3500 | 2,40 |
| HK 2P 49 31 CSRA | 14,4 | 250 | 270 | 290 | 104,2 | 45,0 | anti-clockwise rotating | 700 | 3500 | 2,60 |
| HK 2P 49 32 CSRA | 14,4 | 250 | 270 | 290 | 104,2 | 45,0 | clockwise rotating | 700 | 3500 | 2,60 |
| HK 2P 51 31 CSRA | 16,8 | 230 | 250 | 270 | 108,2 | 45,0 | anti-clockwise rotating | 700 | 3500 | 2,70 |
| HK 2P 51 32 CSRA | 16,8 | 230 | 250 | 270 | 108,2 | 45,0 | clockwise rotating | 700 | 3500 | 2,70 |
| HK 2P 53 31 CSRA | 19,2 | 210 | 230 | 250 | 112,2 | 45,0 | anti-clockwise rotating | 700 | 3000 | 2,80 |
| HK 2P 53 32 CSRA | 19,2 | 210 | 230 | 250 | 112,2 | 45,0 | clockwise rotating | 700 | 3000 | 2,80 |
| HK 2P 55 31 CSRA | 22,8 | 200 | 220 | 240 | 118,2 | 52,5 | anti-clockwise rotating | 700 | 3000 | 2,95 |
| HK 2P 55 32 CSRA | 22,8 | 200 | 220 | 240 | 118,2 | 52,5 | clockwise rotating | 700 | 3000 | 2,95 |

VFU = conveying volume per revolution – p1 = continuous pressure – p2 = working pressure – p3 = maximum pressure

Accessories

| | |
|----------|--------------------------|
| GF LK | Pump connection (4 hole) |
| GF LK M | Pump connection (4 hole) |
| W VA W90 | Fitting, angle 90° |