

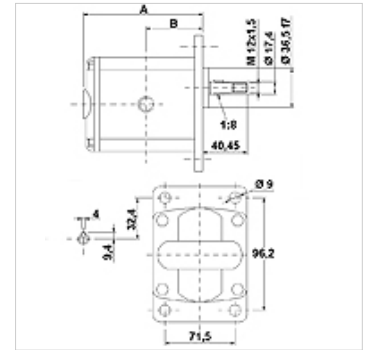
HK 2P ExBA

Gear pump, size 2 EBBA / ECBA

HANSA FLEX

Properties

Thread pressure side	G 1/2"
Thread suction side	G 1/2" up to 10.8 VFU ccm G 3/4" up to 14.4 VFU ccm
Material	Housing: Aluminium Front flange, end cover: Aluminium



Description

European standard pump – hole pattern 96.2 x 71.5 – dia. 36.5 – taper 1:8 – threaded fitting

Ordering information

Further pump versions available on request

Item

Identification	VFU (cc)	p1 max. (bar)	p2 max. (bar)	p3 max. (bar)	A (mm)	B (mm)	Direction of rotation	Speed min. (rpm)	Speed max. (rpm)	Weight (kg)
HK 2P 41 01 EBBA	4,2	260	280	300	87,2	41,7	anti-clockwise rotating	700	3500	2,20
HK 2P 41 02 EBBA	4,2	260	280	300	87,2	41,7	clockwise rotating	700	3500	2,20
HK 2P 43 01 EBBA	6,0	260	280	300	90,2	43,2	anti-clockwise rotating	700	3500	2,30
HK 2P 43 02 EBBA	6,0	260	280	300	90,2	43,2	clockwise rotating	700	3500	2,30
HK 2P 45 01 EBBA	8,4	260	280	300	94,2	45,2	anti-clockwise rotating	700	3500	2,40
HK 2P 45 02 EBBA	8,4	260	280	300	94,2	45,2	clockwise rotating	700	3500	2,40
HK 2P 47 01 EBBA	10,8	260	280	300	98,2	47,2	anti-clockwise rotating	700	3500	2,50
HK 2P 47 02 EBBA	10,8	260	280	300	98,2	47,2	clockwise rotating	700	3500	2,50
HK 2P 49 01 ECBA	14,4	250	270	290	104,2	50,2	anti-clockwise rotating	700	3500	2,70
HK 2P 49 02 ECBA	14,4	250	270	290	104,2	50,2	clockwise rotating	700	3500	2,70
HK 2P 51 01 ECBA	16,8	230	250	270	108,2	52,2	anti-clockwise rotating	700	3500	2,80
HK 2P 51 02 ECBA	16,8	230	250	270	108,2	52,2	clockwise rotating	700	3500	2,80
HK 2P 53 01 ECBA	19,2	210	230	250	112,2	54,2	anti-clockwise rotating	700	3000	2,90
HK 2P 53 02 ECBA	19,2	210	230	250	112,2	54,2	clockwise rotating	700	3000	2,90
HK 2P 55 01 ECBA	22,8	200	220	240	118,2	57,2	anti-clockwise rotating	700	3000	3,05
HK 2P 55 02 ECBA	22,8	200	220	240	118,2	57,2	clockwise rotating	700	3000	3,05

VFU = conveying volume per revolution – p1 = continuous pressure – p2 = working pressure – p3 = maximum pressure

Accessories

WDA	Pump connection (3 hole), angle 90°
WDS	Pump connection (3 hole), angle 90°
F	Pump connection (4 hole)
FE	Pump connection (4 hole)

Additional elements

HK MPK	Selection chart for motor/pump combination for gear pumps
--------	-----------------------------------------------------------