

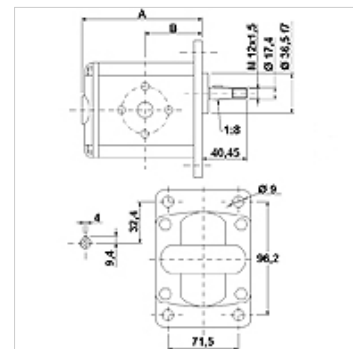
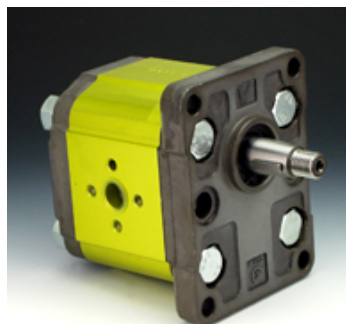
HK 2P ExxA

Gear pump, size 2 EOOA / EPOA / EQPA

HANSA FLEX

Properties

Pitch circle pressure side	30/M6 up to 22.8 VFU ccm 40/M8 up to 26.2 VFU ccm
Pitch circle suction side	30/M6 up to 10.8 VFU ccm 40/M8 up to 14.4 VFU ccm
Material	Housing: Aluminium Front flange, end cover: Aluminium



Description

European standard pump – hole pattern 96.2 x 71.5 – dia. 36.5 – taper 1:8 – flange fitting

Ordering information

Further pump versions available on request

Item

Identification	VFU (cc)	p1 max. (bar)	p2 max. (bar)	p3 max. (bar)	A (mm)	B (mm)	Direction of rotation	Speed min. (rpm)	Speed max. (rpm)	Weight (kg)
HK 2P 41 01 EOOA	4,2	260	280	300	87,2	41,7	anti-clockwise rotating	700	3500	2,20
HK 2P 41 02 EOOA	4,2	260	280	300	87,2	41,7	clockwise rotating	700	3500	2,20
HK 2P 43 01 EOOA	6,0	260	280	300	90,2	43,2	anti-clockwise rotating	700	3500	2,30
HK 2P 43 02 EOOA	6,0	260	280	300	90,2	43,2	clockwise rotating	700	3500	2,30
HK 2P 45 01 EOOA	8,4	260	280	300	94,2	45,2	anti-clockwise rotating	700	3500	2,40
HK 2P 45 02 EOOA	8,4	260	280	300	94,2	45,2	clockwise rotating	700	3500	2,40
HK 2P 47 01 EOOA	10,8	260	280	300	98,2	47,2	anti-clockwise rotating	700	3500	2,50
HK 2P 47 02 EOOA	10,8	260	280	300	98,2	47,2	clockwise rotating	700	3500	2,50
HK 2P 49 01 EPOA	14,4	250	270	290	104,2	50,2	anti-clockwise rotating	700	3500	2,70
HK 2P 49 02 EPOA	14,4	250	270	290	104,2	50,2	clockwise rotating	700	3500	2,70
HK 2P 51 01 EPOA	16,8	230	250	270	108,2	52,2	anti-clockwise rotating	700	3500	2,80
HK 2P 51 02 EPOA	16,8	230	250	270	108,2	52,2	clockwise rotating	700	3500	2,80
HK 2P 53 01 EPOA	19,2	210	230	250	112,2	54,2	anti-clockwise rotating	700	3000	2,90
HK 2P 53 02 EPOA	19,2	210	230	250	112,2	54,2	clockwise rotating	700	3000	2,90
HK 2P 55 01 EPOA	22,8	200	220	240	118,2	57,2	anti-clockwise rotating	700	3000	3,05
HK 2P 55 02 EPOA	22,8	200	220	240	118,2	57,2	clockwise rotating	700	3000	3,05
HK 2P 57 01 EQPA	26,2	170	190	210	122,2	59,2	anti-clockwise rotating	700	3000	3,15
HK 2P 57 02 EQPA	26,2	170	190	210	122,2	59,2	clockwise rotating	700	3000	3,15
HK 2P 61 01 EQPA	34,2	160	180	200	137,2	66,7	anti-clockwise rotating	700	2500	3,60
HK 2P 61 02 EQPA	34,2	160	180	200	137,2	66,7	clockwise rotating	700	2500	3,60
HK 2P 59 01 EQPA	30,0	150	170	190	130,2	63,2	anti-clockwise rotating	700	2500	3,40
HK 2P 59 02 EQPA	30,0	150	170	190	130,2	63,2	clockwise rotating	700	2500	3,40
HK 2P 63 01 EQPA	39,6	140	160	180	146,2	71,2	anti-clockwise rotating	700	2000	3,80
HK 2P 63 02 EQPA	39,6	140	160	180	146,2	71,2	clockwise rotating	700	2000	3,80

VFU = conveying volume per revolution – p1 = continuous pressure – p2 = working pressure – p3 = maximum pressure

Accessories

WDA	Pump connection (3 hole), angle 90°
WDS	Pump connection (3 hole), angle 90°



Despite careful checking, we cannot guarantee the accuracy of all information included on this site, and we accept no liability.

08.02.2026

HANSA-FLEX AG

www.hansa-flex.com

1

HK 2P ExxA

Gear pump, size 2 EOOA / EPOA / EQPA



Additional elements

HK MPK Selection chart for motor/pump combination for gear pumps