

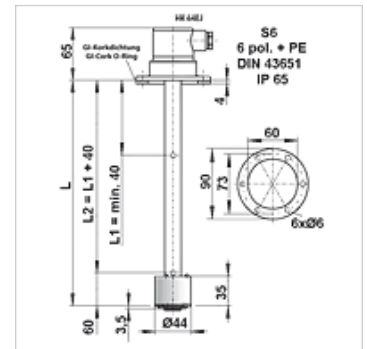
HK 64EJ

Level/temperature switch HK 64EJ

HANSA FLEX

Properties

| | |
|-----------------------------------|---|
| Operating pressure | max. 1 bar |
| Operating temperature max. | 80 °C |
| Connection | bolt hole Ø 73 mm |
| Electrical connection | Device connector S6 DIN EN 175201-804 |
| Material | Float SK 601 - hard PU Switching tube - brass Flange - PA |
| Scope of supply | incl. seal and screw set incl. connector |



Note

Basic unit comprises:

Level switch for tank installation with float and S6 plug

1x adjustable level contact K101-green, installed as NC contact

Installation and assembly must be carried out by qualified staff.

Level contacts or temperature sensors must be connected to the contact plate clean and free of oil.

For the proper function of the temperature sensors it is important that they have contact to the bottom of the dip tube without air gap. Make sure that the contact plate is inserted completely and fixed in the dip tube.

Description

Freely combinable kit for level and temperature switches

Cable-free, adjustable level contact

Can be installed as NO or NC contact

Simple retrofitting for temperature monitoring

Bistable = only one float switch with high float dynamics

Maintenance-free

Density of fluid min. 0.8 kg/dm³

Item

| Identification | L (mm) | Weight (kg) |
|---------------------|-----------|----------------|
| HK 64EJ K101 S6 250 | 250 | 0,3 |
| HK 64EJ K101 S6 370 | 370 | 0,3 |
| HK 64EJ K101 S6 520 | 520 | 0,4 |

Accessories

| | |
|--------------|--|
| HK LK EJ | Level contact for level/temperature switch |
| HK TKO / TKS | Temperature contact for level/temperature switch |
| HK KL EJ | Resistance thermometer for level/temperature switch |
| HK THERMO EJ | Temperature transmitter for level/temperature switch |