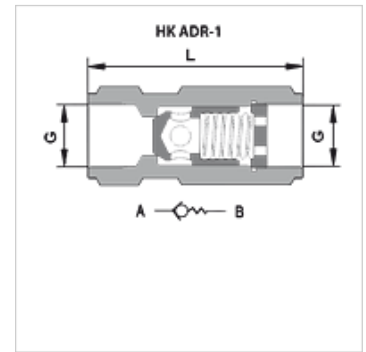


HK ADR

ADR non-return valve

Properties

Design	Cone locking
Material	Housing: Galvanised steel Inside parts of steel
Operating pressure	max. 400 bar



Item

Identification	p max. (bar)	Opening pressure (bar)	Q max. (L/min)	G	L (mm)	AF (mm)	Weight (kg)
HK ADR 06	400	0,5	40	G 1/4"	67,0	22	0,2
HK ADR 10	400	0,5	80	G 3/8"	70,0	27	0,4
HK ADR 15	350	0,5	150	G 1/2"	82,5	32	0,6
HK ADR 20	350	0,5	300	G 3/4"	103,0	36	0,9
HK ADR 25	350	0,5	360	G 1"	120,0	46	2,1
HK ADR 32	350	0,5	500	G 1.1/4"	138,0	55	2,5