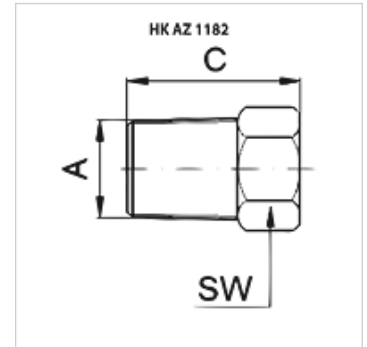


HK AZ11

Blind plugs

Properties

Operating pressure	max. 700 bar
Connection 1	NPT external threads
Design	Blanking socket, with hexagon head
Construction	straight
Sealing form 1	thread seal
Surface	galvanised



Item

Identification	A	C (mm)	AF (mm)	Weight (kg)
HK AZ 1182	NPT 3/8" -18	24	18	0,7

AF = Width across flats

Accessories

NY 2100	Thermoplastic extreme pressure hose
GKS	Rubber antikink protection
PNY 2100 HN	Swage nipple, AGN
PHY 2100	Swage ferrule, NY 2100
SKL HN SP	Screwed coupling, loose half
SKL ZUBS SP	Dust protection for SKL...SP
SKF IN SP	Screwed coupling fixed half
SKF ZUBS SP	Dust protection for SKF...SP