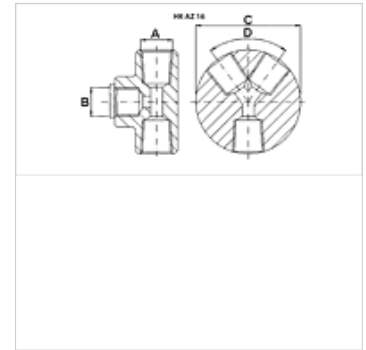
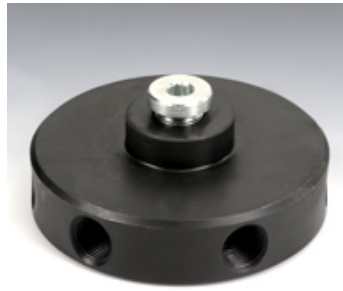


## Properties

Operating pressure max. 700 bar



## Note

Inlet B: Pressure gauge fitting with blank plug

## Item

Identification	Connections	A	B	C (mm)	Angle D (°)	Weight (kg)
HK AZ 1604	1 inlet / 4 outlets	NPT 3/8" -18	BSP 3/8" -19	82,0	60	1,9
HK AZ 1606	1 inlet / 6 outlets	NPT 3/8" -18	BSP 3/8" -19	102,0	48	2,9

## Accessories

NY 2100	Thermoplastic extreme pressure hose
GKS	Rubber antikink protection
PNY 2100 HN	Swage nipple, AGN
PHY 2100	Swage ferrule, NY 2100
SKL HN SP	Screwed coupling, loose half
SKL ZUBS SP	Dust protection for SKL...SP
SKF IN SP	Screwed coupling fixed half
SKF ZUBS SP	Dust protection for SKF...SP