

HK BHF IG

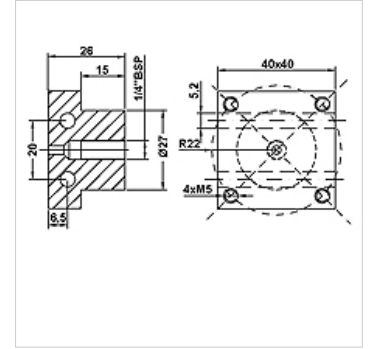
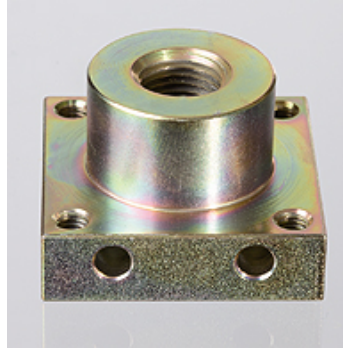
BHF IG adapter for MAP pressure switch

Properties

Connection G 1/4" female thread

Material Steel

Use for mounting of pressure switches with mit 4-hole Flange 31x31 mm



Item

Identification	Weight (kg)
HK BHF IG 14	0,35

Accessory for following products

HK MAP	MAP pressure switch
--------	---------------------