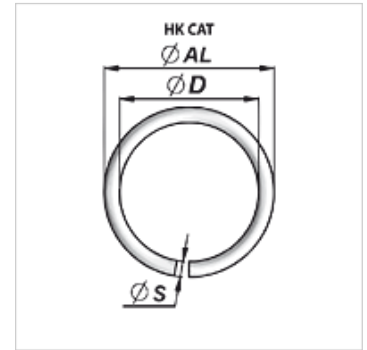


# HK CAT

Clamping ring for plunger cylinder

## Properties

Material Steel S355J0 (Fe510C)



## Item

Identification	$\varnothing AL$ (mm)	$\varnothing D$ (mm)	$\varnothing S$ (mm)	Weight (kg)
HK CAT 25	28	22,0	3	0,01
HK CAT 30	33	27,0	3	0,01
HK CAT 35	38	31,5	3	0,01
HK CAT 40	44	36,0	4	0,01
HK CAT 45	49	41,0	4	0,01
HK CAT 50	54	45,5	4	0,09
HK CAT 60	65	54,5	5	0,03