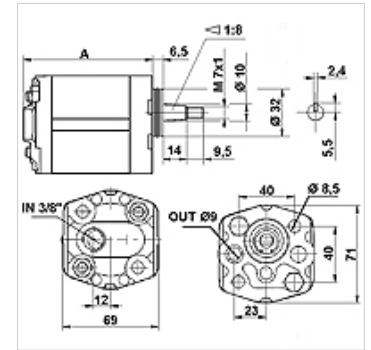
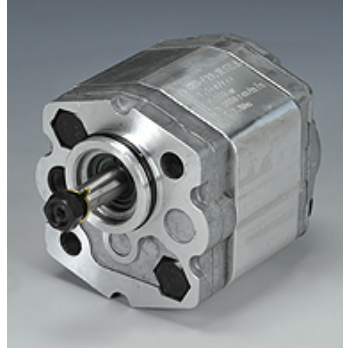


HK CBD ZLBA

Gear pump, size 1 CBD

Properties

Design	Economy variant housing type BH (attachment top right-hand, bottom left-hand)
Cover connection, suction side	G 3/8"
Flange connection, pressure side	Ø 9.25
Material	Housing: Aluminium Front flange, end cover: Aluminium



Description

European standard pump – hole pattern 40 x 40 – dia. 32 – taper 1:8

Ordering information

Further pump versions available on request

Item

Identification	VFU (cc)	p1 max. (bar)	p2 max. (bar)	p3 max. (bar)	A (mm)	Direction of rotation	Speed min. (rpm)	Speed max. (rpm)	Weight (kg)
HK CBD F211 L1Z LBA	1,1	200	220	250	74	anti-clockwise rotating	600	6000	0,77
HK CBD F216 L1Z LBA	1,6	200	220	250	76	anti-clockwise rotating	600	6000	0,80
HK CBD F221 L1Z LBA	2,1	200	220	250	78	anti-clockwise rotating	600	6000	0,82
HK CBD F227 L1Z LBA	2,7	200	220	250	80	anti-clockwise rotating	600	6000	0,85
HK CBD F232 L1Z LBA	3,2	200	220	250	82	anti-clockwise rotating	600	5000	0,87
HK CBD F237 L1Z LBA	3,7	200	220	250	84	anti-clockwise rotating	600	4500	0,90
HK CBD F242 L1Z LBA	4,2	200	220	250	86	anti-clockwise rotating	600	4000	0,92
HK CBD F258 L1Z LBA	5,8	160	180	200	92	anti-clockwise rotating	600	2900	1,00
HK CBD F280 L1Z LBA	8,0	160	180	200	100	anti-clockwise rotating	600	2100	1,10

VFU = conveying volume per revolution – p1 = continuous pressure – p2 = working pressure – p3 = maximum pressure