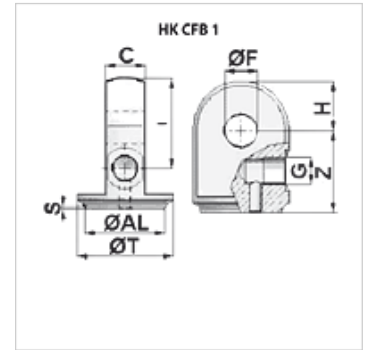


HK CFB

Hinged cylinder base with oil inlet

Properties

Material Steel S355J0 (Fe510C)



Item

Identification	Ø AL (mm)	Ø F (mm)	Ø T (mm)	C (mm)	G	H (mm)	I (mm)	S (mm)	Z (mm)	Weight (kg)
HK CFB 040 050 4	40	16,20	50	24,8	G 1/4"	19,0	39,0	2,00	46	0,56
HK CFB 050 060 6	50	20,25	60	24,8	G 3/8"	31,0	56,0	2,00	51	0,84
HK CFB 060 070 6	60	25,25	70	24,8	G 3/8"	33,0	63,0	2,00	57	1,15
HK CFB 061 071 6	60	25,25	70	25,0	G 3/8"	29,5	48,0	2,00	47	0,81
HK CFB 070 080 6	70	25,25	80	39,5	G 3/8"	42,0	82,0	2,00	65	2,70