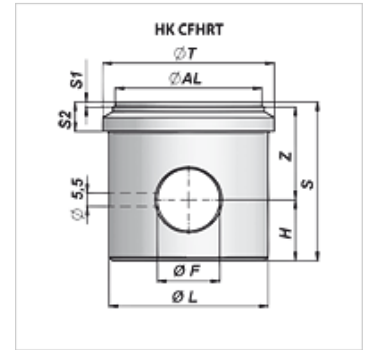


HK CFHRT

Cylinder base

Properties

Material Steel S355J0 (Fe510C)



Item

| Identification | Ø AL (mm) | Ø F (mm) | Ø T (mm) | H (mm) | Ø L (mm) | S (mm) | S1 (mm) | Z (mm) | S2 (mm) | Weight (kg) |
|-----------------|--------------|-------------|-------------|-----------|-------------|-----------|------------|-----------|------------|----------------|
| HK CFHRT 040 30 | 30 | 14,00 | 40 | 14 | - | 30 | 2 | 14 | - | 0,23 |
| HK CFHRT 060 50 | 50 | 23,00 | 60 | 22 | - | 50 | 2 | 26 | - | 0,90 |
| HK CFHRT 070 60 | 60 | 25,50 | 70 | 25 | 65 | 65 | 2 | 38 | 12 | 1,48 |