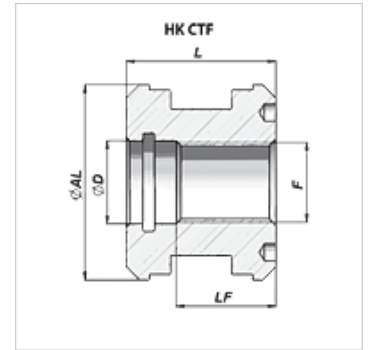


HK CTF

Threaded piston for hydraulic cylinders

Properties

Material Steel 9SMn28



Note

Suitable packing sets can be supplied on request.

Item

Identification	Ø AL (mm)	Ø D (mm)	F	L (mm)	LF (mm)	Weight (kg)
HK CTF 25 101 25	25	11,1	M 10x1.5	25	18	0,10
HK CTF 040 16 15	40	17,1	M 16x1.5	40	30	0,22
HK CTF 050 20 15	50	21,1	M 20x1.5	40	28	0,31
HK CTF 060 24 20	60	25,1	M 24x2	45	30	0,07
HK CTF 063 24 20	63	25,1	M 24x2	45	30	0,66
HK CTF 070 24 20	70	25,1	M 24x2	45	30	0,78
HK CTF 080 27 20	80	28,1	M 27x2	45	30	1,08
HK CTF 090 33 20	90	35,1	M 33x2	50	35	1,60
HK CTF 100 33 20	100	35,1	M 33x2	50	35	2,18
HK CTF 110 39 30	110	42,0	M 39x3	50	35	2,40
HK CTF 120 42 30	120	45,0	M 42x3	50	35	3,00
HK CTF 125 42 30	125	45,0	M 42x3	50	35	3,20
HK CTF 140 48 30	140	51,0	M 48x3	58	40	4,90
HK CTF 150 48 30	150	51,0	M 48x3	58	40	5,80
HK CTF 160 52 30	160	54,0	M 52x3	58	40	6,70

Material aluminium for HK CTF 25 101 25