

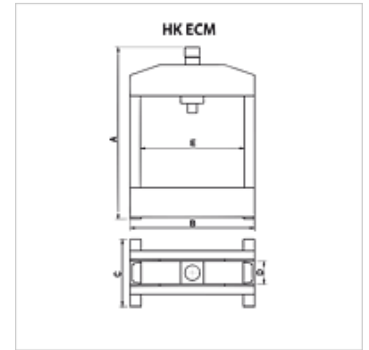
# HK ECM

Workbench press 700 bar

**HANSA FLEX**

## Properties

<b>Operating pressure</b>	max. 700 bar
<b>Scope of supply</b>	Supplied with hand pump, 1500 mm hose and quick release couplings



## Note

Attention: Please observe separate safety precautions for working with 700 bar equipment (see technical information)!

## Description

high-strength welded frame

Includes a pressure gauge to be installed by the user

Equipped with V-blocks for easier positioning of pipe and bar material in the press

Max. height under press cylinder: 352 mm

## Item

Identification	(kN)	(t)	Stroke (mm)	A (mm)	B (mm)	C (mm)	D (mm)	E (mm)	for pump	Weight (kg)
HK ECM 01113	93,2	10	130	720	440	220	80	350	HK W 00607	41

## Accessories

NY 2100	Thermoplastic extreme pressure hose
GKS	Rubber antikink protection
PNY 2100 HN	Swage nipple, AGN
PHY 2100	Swage ferrule, NY 2100
SKL HN SP	Screwed coupling, loose half
SKL ZUBS SP	Dust protection for SKL...SP
SKF IN SP	Screwed coupling fixed half
SKF ZUBS SP	Dust protection for SKF...SP