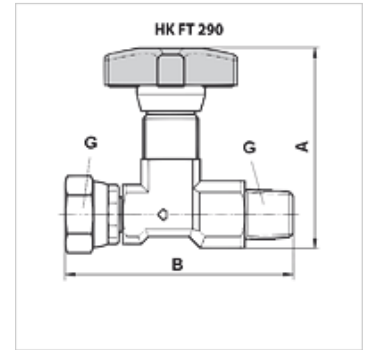


HK FT 290

Pressure gauge shut-off valve FT290

Properties

Design	straight
Material	Steel with plastic wheel
Operating pressure	max. 400 bar



Description

Isolation and throttle non-return valve for hydraulic pressure gauge

Item

Identification	A (mm)	B (mm)	G	Weight (kg)
HK FT 290-14	57	62	1/4" AG/IG	0,13
HK FT 290-12	75	82	1/2" AG/IG	0,40