

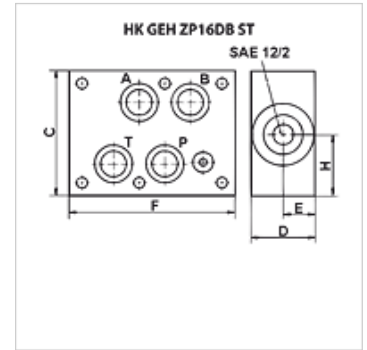
HK GEH ZP16 DB ST

Steel housing ZP NG16 for SAE 2-way pressure relief valve



Properties

Sealing form	O-ring seal
Material	Steel
Operating pressure	max. 350 bar



Item

Identification	Connection	C (mm)	D (mm)	E (mm)	F (mm)	H (mm)	acts in channel	for valve type	Weight (kg)
HK GEH ZP16 DB 12 AT	Cetop 07 NG 16	90	40	20	120	45	A + T	HK RVPS12NS0 - SAE12/2 1 1/16-12UNF-2B	3,4
HK GEH ZP16 DB 12 PT	Cetop 07 NG 16	90	40	20	120	45	P + T	HK RVPS12NS0 - SAE12/2 1 1/16-12UNF-2B	3,4