

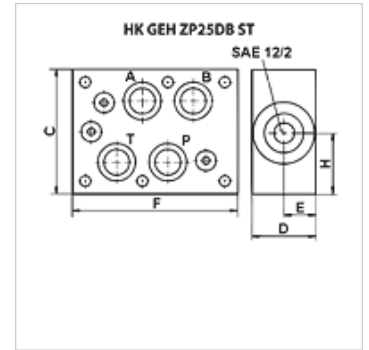
# HK GEH ZP25 DB ST

Steel housing ZP NG25 for SAE 2-way pressure relief valve



## Properties

Sealing form	O-ring seal
Material	Steel
Operating pressure	max. 350 bar



## Item

Identification	Connection	C	D	E	F	H	acts in channel	for valve type	Weight
		(mm)	(mm)	(mm)	(mm)	(mm)			(kg)
HK GEH ZP25 DB 12 AT	Cetop 08 NG 25	120	50	23	160	60	A + T	HK RVPS12NS0 - SAE12/2 1 1/16-12UNF-2B	11,2
HK GEH ZP25 DB 12 PT	Cetop 08 NG 25	120	50	23	160	60	P + T	HK RVPS12NS0 - SAE12/2 1 1/16-12UNF-2B	11,2