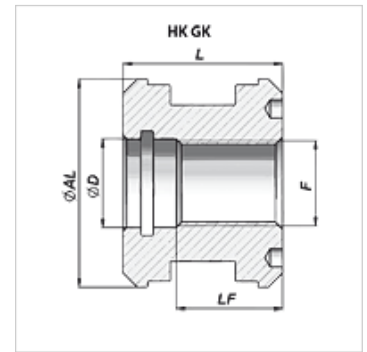
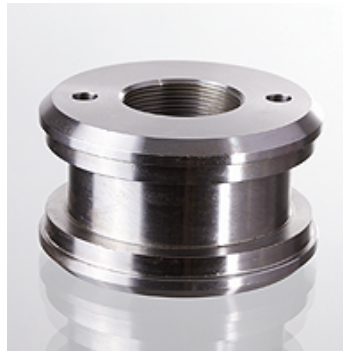


HK GK

Threaded piston for hydraulic cylinders

Properties

Material Steel 9SMn28



Note

Suitable packing sets can be supplied on request.

Item

Identification	Ø AL (mm)	Ø D (mm)	F	L (mm)	LF (mm)	Weight (kg)
HK GK 32 1415 K	32	15,0	M 14x1.5	30	10	0,20