

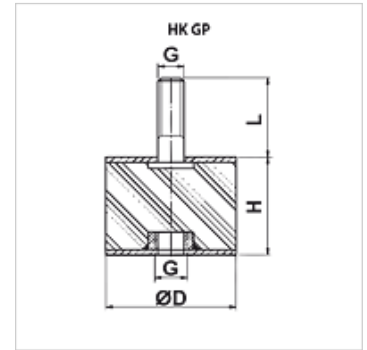
# HK GP

Rubber-metallic buffer

## Properties

### Material

Galvanised steel



## Description

With threaded bolt and inside thread

Can also be used as an alternative to damping rails

## Ordering information

Other sizes and versions available on request

## Item

Identification	Ø D (mm)	G	H (mm)	L (mm)	permissible dyn. load (N)	Weight (kg)
HK GP 4030 M10 B	40,0	M 10	30,0	28,0	1150	0,3
HK GP 7540 M12 B	75,0	M 12	40,0	37,0	1600	0,5
HK GP 10040 M16 B	100,0	M 16	40,0	46,0	5600	0,8