

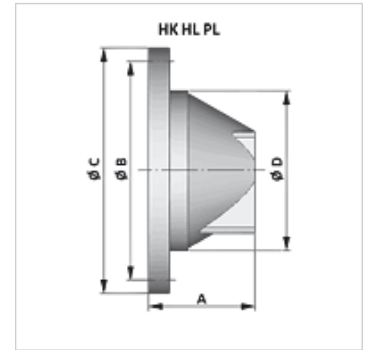
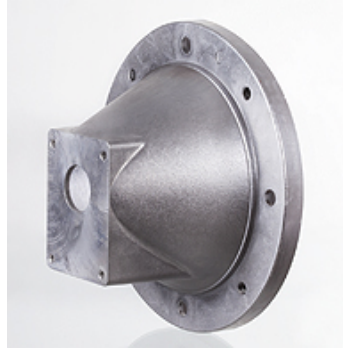
HK HL / PL / PK

Pump mount

HANSA FLEX

Properties

Design	combinable with coupling HK HE and HK ROTEX Z
Material	Aluminium
Use	For gear pumps size 2 and size 3



Description

Centring for motor and pump shaft

Item

Identification	A (mm)	Ø B (mm)	Ø C (mm)	Ø D (mm)	Flange for pump connection	Pump	Motor	Weight (kg)
HK HL 1	70,00	130	160	110	Two-hole flange 66	BG0/cyl. shaft	BG71	0,44
HK HL 2	70,00	130	160	110	71.9 x 52.4	BG1/shaft 1:8	BG71	0,44
HK HL 4L	86,00	165	200	130	Two-hole flange 66	BG0/cyl. shaft	BG80/90	0,68
HK HL 5L	86,00	165	200	130	71.9 x 52.4	BG1/shaft 1:8	BG80/90	0,67
HK HL 7SL	95,00	165	200	130	96.2 x 71.5	BG2/shaft 1:8	BG80/90	0,65
HK HL 81L	115,00	215	250	176	71.9 x 52.4	BG1/shaft 1:8	BG100/112	1,22
HK HL 9L	115,00	215	250	176	96.2 x 71.5	BG2/shaft 1:8	BG100/112	1,21
HK HL 11	130,00	215	250	176	128 x 98	BG3/shaft 1:8	BG100/112	1,20
HK HL 12	148,00	265	300	229	96.2 x 71.5	BG2/shaft 1:8	BG132	1,99
HK HL 13	148,00	265	300	229	128 x 98	BG3/shaft 1:8	BG132	1,99
HK HL 15	187,00	300	350	210	96.2 x 71.5	BG2/shaft 1:8	BG160/180	3,38
HK HL 16	187,00	300	350	210	128 x 98	BG3/shaft 1:8	BG160/180	3,38
HK PL 300 01 02	132,00	265	300	234	96.2 x 71.5	BG2/shaft 1:8	BG132	1,99
HK PK 300 02 08	137,00	265	300	234	128 x 98	BG3/shaft 1:8	BG132	1,90
HK PL 350 01 05	175,00	300	350	260	96.2 x 71.5	BG2/shaft 1:8	BG160/180	3,38
HK PL 350 01 06	175,00	300	350	260	128 x 98	BG3/shaft 1:8	BG160/180	3,38

Accessories

HK DRV	Damping ring
HK DPT	Gasket for pump mounts