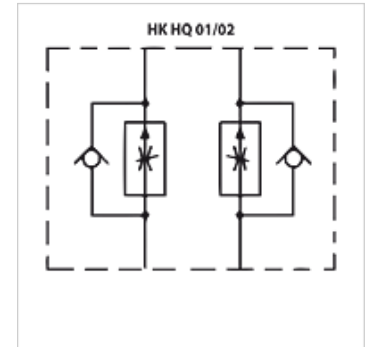


# HK HQ 01/02

Flow control check valve

## Properties

Design	Sandwich body valve
Operating pressure	max. 350 bar
Connection	ISO/Cetop 03 size 6



## Note

These valves must be set according to the application.

## Description

Sandwich body valve for constructing sandwich arrangements with ISO/Cetop 03 size 6 valves

## Ordering information

Further sandwich body valves available on request

Item					
Identification	acts in channel	Volumetric flow max. (L/min)	Design	Plate height (mm)	Weight (kg)
HK HQ 012	A + B	50,0	Drain control	40	1,4
HK HQ 012 U	A + B	25,0	Drain control fine	40	1,2
HK HQ 013	A	50,0	Drain control	40	1,4
HK HQ 014	B	50,0	Drain control	40	1,4
HK HQ 022	A + B	50,0	Inlet control	40	1,4
HK HQ 022 U	A + B	25,0	Drain control fine	40	1,2
HK HQ 023	A	50,0	Inlet control	40	1,4
HK HQ 024	B	50,0	Inlet control	40	1,4