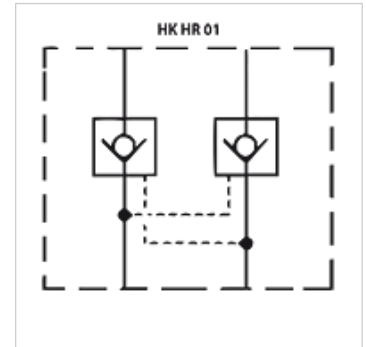


HK HR 01

Check valve

Properties

Design	Sandwich body valve
Operating pressure	max. 350 bar
Volumetric flow	max. 60 l/min
Connection	ISO/Cetop 03 size 6



Description

Sandwich body valve for constructing sandwich arrangements with ISO/Cetop 03 size 6 valves

Ordering information

Further sandwich body valves available on request

Item

Identification	acts in channel	Design	Plate height (mm)	Weight (kg)
HK HR 011	P	direct-controlled	40	1,40
HK HR 012	A + B	pilot controlled, opening ratio 1: 3.3	40	1,05
HK HR 013	A	pilot controlled, opening ratio 1: 3.3	40	1,40
HK HR 014	B	pilot controlled, opening ratio 1: 3.3	40	1,40
HK HR 016	T	direct-controlled	40	1,40