

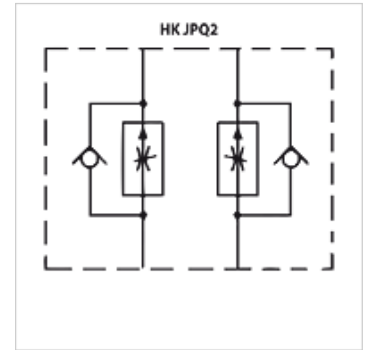
HK JPQ2

Flow control check valve

HANSA FLEX

Properties

Design	Sandwich body valve
Operating pressure	max. 350 bar
Volumetric flow	max. 160 l/min
Connection	ISO/Cetop 07 NG16



Note

These valves must be set according to the application.

Description

Sandwich body valve for constructing sandwich arrangements with ISO/Cetop 07 size 16 valves

Ordering information

Further sandwich body valves available on request

Item				
Identification	acts in channel	Design	Plate height (mm)	Weight (kg)
HK JPQ 212	A + B	Drain control	60	4,6
HK JPQ 213	A	Drain control	60	4,6
HK JPQ 214	B	Drain control	60	4,6
HK JPQ 222	A + B	Inlet control	60	4,6
HK JPQ 223	A	Inlet control	60	4,6
HK JPQ 224	B	Inlet control	60	4,6