

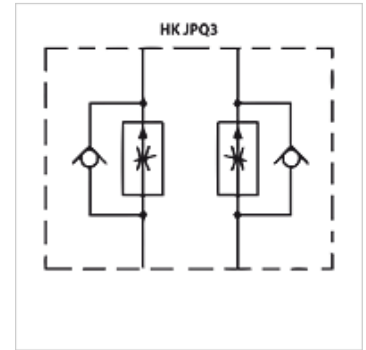
# HK JPQ3

Flow control check valve

**HANSA FLEX**

## Properties

<b>Design</b>	Sandwich body valve
<b>Operating pressure</b>	max. 350 bar
<b>Volumetric flow</b>	max. 250 l/min
<b>Connection</b>	ISO/Cetop 08 NG25



## Note

These valves must be set according to the application.

## Description

Sandwich body valve for constructing sandwich arrangements with ISO/Cetop 08 size 25 valves

## Ordering information

Further sandwich body valves available on request

Item				
Identification	acts in channel	Design	Plate height (mm)	Weight (kg)
HK JPQ 312	A + B	Drain control	80	10,7
HK JPQ 313	A	Drain control	80	10,7
HK JPQ 314	B	Drain control	80	10,7
HK JPQ 322	A + B	Inlet control	80	10,7
HK JPQ 323	A	Inlet control	80	10,7
HK JPQ 324	B	Inlet control	80	10,7