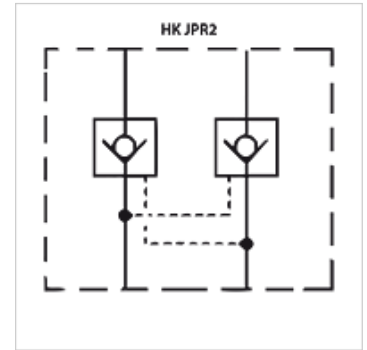


HK JPR2

Check valve

Properties

Design	Sandwich body valve
Operating pressure	max. 350 bar
Volumetric flow	max. 160 l/min
Connection	ISO/Cetop 07 NG16



Description

Sandwich body valve for constructing sandwich arrangements with ISO/Cetop 07 size 16 valves

Ordering information

Further sandwich body valves available on request

Item

Identification	acts in channel	Design	Plate height (mm)	Weight (kg)
HK JPR 212	A + B	pilot controlled, opening ratio 1: 13.6	60	4,4
HK JPR 213	A	pilot controlled, opening ratio 1: 13.6	60	4,4
HK JPR 214	B	pilot controlled, opening ratio 1: 13.6	60	4,4