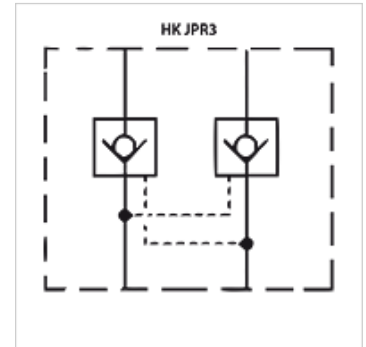


# HK JPR3

## Check valve

### Properties

<b>Design</b>	Sandwich body valve
<b>Operating pressure</b>	max. 350 bar
<b>Volumetric flow</b>	max. 250 l/min
<b>Connection</b>	ISO/Cetop 08 NG25



### Description

Sandwich body valve for constructing sandwich arrangements with ISO/Cetop 08 size 25 valves

### Ordering information

Further sandwich body valves available on request

### Item

Identification	acts in channel	Design	Plate height (mm)	Weight (kg)
HK JPR 312	A + B	pilot controlled, opening ratio 1: 17.1	80	9,9
HK JPR 313	A	pilot controlled, opening ratio 1: 17.1	80	9,9
HK JPR 314	B	pilot controlled, opening ratio 1: 17.1	80	9,9