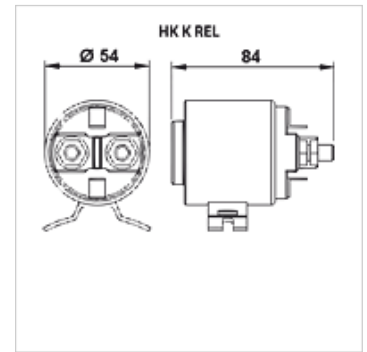


HK K REL

Start relay for DC electric motor

Properties

Design	solenoid-switch start relay
Scope of supply	with counter nut



Item

Identification	Voltage	Current consumption (nominal) (A)	Current consumption max. (A)	Weight (kg)
HK K C	12 V	150	350	0,75
HK K C300	12 V	300	350	1,30
HK K E	24 V	150	350	0,73
HK K F	48 V	60	200	0,71

Accessory for following products

HK K C E-Motor 12V	DC 12V electric motor
HK K C E-Motor 24V	DC 24V electric motor
HK K C E-Motor 48V	DC 48V electric motor