

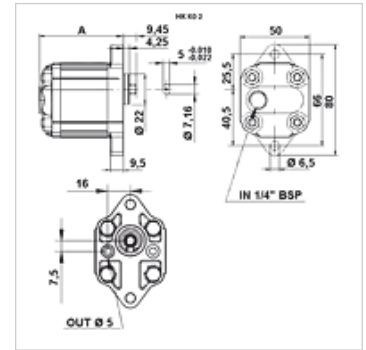
HK K0

Gear pump, size 0 K0

HANSA FLEX

Properties

Material	Housing: Aluminium Front flange, end cover: Aluminium
Cover connection, suction side	G 1/4"
Flange connection, pressure side	Ø 5.00



Description

European standard pump – hole pattern 66 – 22 dia. – flat splined shaft

Ordering information

Further pump versions available on request

Item

Identification	VFU (ccm) (cc)	p1 max. (bar)	p2 max. (bar)	p3 max. (bar)	A (mm)	Direction of rotation	Speed min. (rpm)	Speed max. (rpm)	Weight (kg)
HK K 01	0,25	220	240	260	56,0	anti-clockwise rotating	700	9000	0,41
HK K 02	0,45	220	240	260	58,0	anti-clockwise rotating	700	9000	0,42
HK K 03	0,57	220	240	260	59,0	anti-clockwise rotating	700	9000	0,43
HK K 04	0,76	220	240	260	60,0	anti-clockwise rotating	700	9000	0,44
HK K M1	0,17	220	240	260	55,0	anti-clockwise rotating	700	9000	0,40

VFU = conveying volume per revolution – p1 = continuous pressure – p2 = working pressure – p3 = maximum pressure