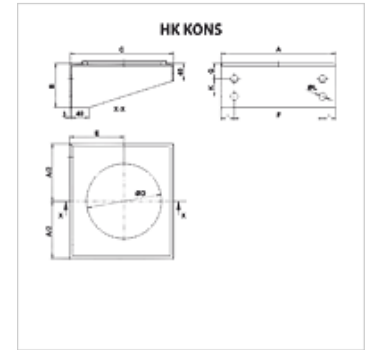
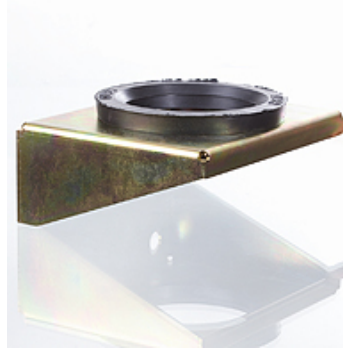


HK KONS

Console for bladder accumulators

Properties

Material	Console: Steel, galvanised Rubber ring: NBR
Use	To fasten pressure accumulators



Description

Bracket for simple and secure mounting of the accumulators
Vibration-damping with NBR rubber ring

Item

Identification	A (mm)	B (mm)	C (mm)	for accumulator type	Ø D (mm)	E (mm)	F (mm)	G (mm)	K (mm)	Ø L (mm)	Weight (kg)
HK KONS 114	140	60	140		100	73	75	35	-	17	0,5
HK KONS 168	210	100	175	HK BLAK Ø168 mm	120	92	160	35	40	17	1,5
HK KONS 219	260	100	235	HK BLAK Ø219 mm	170	123	200	35	40	17	2,5

Accessory for following products

HK BLAK	Bladder accumulator
----------------	---------------------