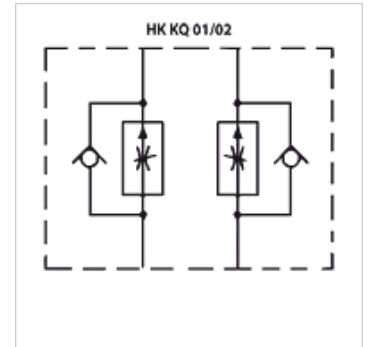


HK KQ 01/02

Flow control check valve

Properties

Design	Sandwich body valve
Operating pressure	max. 350 bar
Volumetric flow	max. 100 l/min
Connection	ISO/Cetop 05 size 10



Note

These valves must be set according to the application.

Description

Sandwich body valve for constructing sandwich arrangements with ISO/Cetop 05 size 10 valves

Ordering information

Further sandwich body valves available on request

Item				
Identification	acts in channel	Design	Plate height (mm)	Weight (kg)
HK KQ 012	A + B	Drain control	50	2,8
HK KQ 013	A	Drain control	50	2,8
HK KQ 014	B	Drain control	50	2,8
HK KQ 022	A + B	Inlet control	50	2,8
HK KQ 023	A	Inlet control	50	2,8
HK KQ 024	B	Inlet control	50	2,8