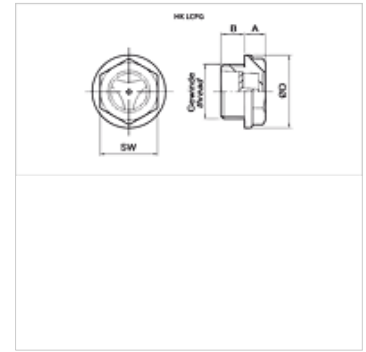


Properties

Design	Suitable only for mineral oil
Temp. max.	80 °C
Material	TROGAMID® Gasket: NBR



Note

Other materials and designs on request

Item

Identification	Thread	A (mm)	Design	B (mm)	Ø D (mm)	AF (mm)	Weight (kg)
HK LCPG 13 TSA	G 1/4"	5	without screen	7	19	15	0,01
HK LCPG 16 TSA	G 3/8"	5	without screen	8	21	17	0,01
HK LCPG 20 TSA	G 1/2"	5	without screen	8	27	21	0,01
HK LCPG 26 TSA	G 3/4"	6	without screen	9	33	26	0,02
HK LCPG 26 TCA	G 3/4"	6	with screen	9	33	26	0,02
HK LCPG 33 TCA	G 1"	7	with screen	10	40	32	0,03

AF = Width across flats