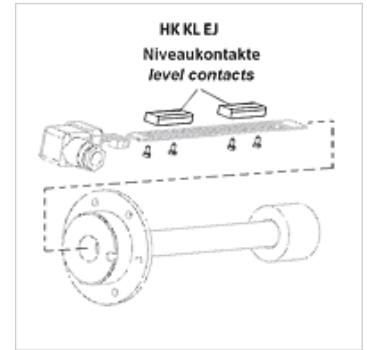


HK LK EJ

Level contact for level/temperature switch

Properties

Contact distance min.	40 mm
Contact load max.	10 VA
Switching current max.	0,5 A
Use	for Level-Temperature Switches HK 64EJ



Note

Installation and assembly must be carried out by qualified staff.
Level contacts or temperature sensors must be connected to the contact plate clean and free of oil.

Description

For mounting on contact strip of level-temperature switch HK64EJ
Level contacts can be installed as NC or NO contacts (turn by 180° during installation)
Use different colours when using 2 or 3 contacts

Item

Identification	Colour	Voltage	Weight (kg)
HK L1 K101 EJ	green	max. 24 V	0,01
HK L2 K102 EJ	yellow	max. 24 V	0,01
HK L3 K103 EJ	red	max. 24 V	0,01

Accessory for following products

HK 64EJ	Level/temperature switch HK 64EJ
---------	----------------------------------