

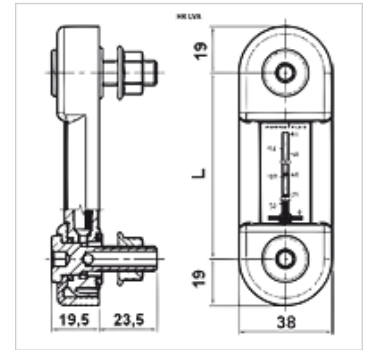
# HK LVA

Visual fill level indicator

**HANSA FLEX**

## Properties

Tightening torque max.	8 N-m
Temp. max.	100 °C
Operating pressure	max. 1 bar
Media	Mineral oils
Material	Polyamide Gasket: NBR
Scope of supply	with hollow screws



## Item

Identification	Design	Thread mounting	L (mm)	Weight (kg)
HK LVA 10 T M10	with thermometer	2 x M10	76	0,12
HK LVA 10 T M12	with thermometer	2 x M12	76	0,12
HK LVA 20 T M12	with thermometer	2 x M12	127	0,16
HK LVA 30 T M12	with thermometer	2 x M12	254	0,22

## Accessory for following products

HK BAK RA	BAKRA hydraulic tank
HK BEK	BEK hydraulic tank (without cleaning hatch)
HK BSK	BSK hydraulic tank (with cleaning hatch)