

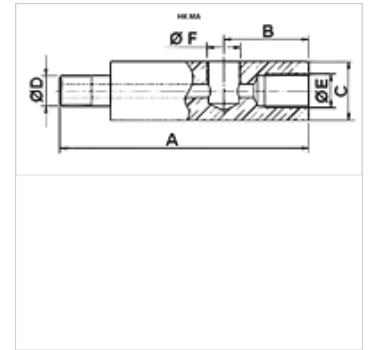
# HK MA

Pressure gauge adapter 700 bar

**HANSA FLEX**

## Properties

Operating pressure max. 700 bar



## Description

For installing pressure gauges with NPT connector

## Item

Identification	A (mm)	B (mm)	C (mm)	dia. D	Ø E	dia. F	Weight (kg)
HK MA 1	71	32	32	3/8" NPT	3/8" NPT	1/2" NPT	0,9
HK MA 3	117	40	32	3/8" NPT	3/8" NPT	1/4" NPT	0,9
HK MA 4	155	35	32	3/8" NPT	3/8" NPT	1/2" NPT	0,9
HK MA 5	71	31	32	3/8" NPT	3/8" NPT	1/4" NPT	0,9

## Accessories

NY 2100	Thermoplastic extreme pressure hose
GKS	Rubber antikink protection
PNY 2100 HN	Swage nipple, AGN
PHY 2100	Swage ferrule, NY 2100
SKL HN SP	Screwed coupling, loose half
SKL ZUBS SP	Dust protection for SKL...SP
SKF IN SP	Screwed coupling fixed half
SKF ZUBS SP	Dust protection for SKF...SP