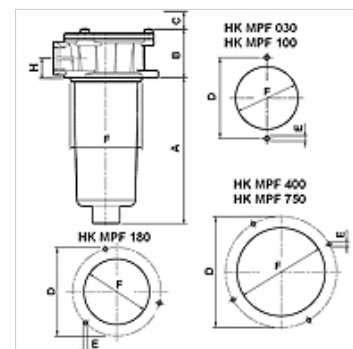


HK MPF GEH

Housing for return flow filter MPF

Properties

Design	with bypass valve 1.75 bar, without clogging indicator without filter element
Operating pressure	max. 8 bar



Note

Dimension "C": clearance required for changing the filter element

Description

Return flow filter for fitting into the tank cap; dimensions for drilling pattern see graphic.

Connector for clogging indicator G 1/8" closed with bolt

Ordering information

Filter element is not included. Please order separately.

Item	Identification	Line connection	A (mm)	B (mm)	C (mm)	D (mm)	E (mm)	F (mm)	H (mm)	Weight (kg)
	HK MPF 030 1 G1	G 1/2"	86	56,0	100	90	7,0	66,0	22,0	0,28
	HK MPF 100 1 G1	G 1/2"	100	80,0	120	115	8,5	88,0	28,0	0,58
	HK MPF 100 1 G2	G 3/4"	100	80,0	120	115	8,5	88,0	28,0	0,58
	HK MPF 100 1 G3	G 1"	100	80,0	120	115	8,5	88,0	28,0	0,58
	HK MPF 100 2 G2	G 3/4"	150	80,0	170	115	8,5	88,0	28,0	0,60
	HK MPF 100 2 G3	G 1"	150	80,0	170	115	8,5	88,0	28,0	0,60
	HK MPF 100 3 G2	G 3/4"	225	80,0	250	115	8,5	88,0	28,0	0,64
	HK MPF 100 3 G3	G 1"	225	80,0	250	115	8,5	88,0	28,0	0,64
	HK MPF 180 1 G1	G 1.1/4"	231	89,0	250	175	10,7	129,0	35,0	1,41
	HK MPF 400 1 G1	G 1.1/4"	178	98,5	200	220	11,5	173,5	38,5	2,87
	HK MPF 400 2 G2	G 1.1/2"	238	98,5	250	220	11,5	173,5	38,5	2,74
	HK MPF 400 2 G3	G 2"	238	98,5	250	220	11,5	173,5	38,5	2,74
	HK MPF 400 3 G3	G 2"	288	98,5	310	220	11,5	173,5	38,5	2,86
	HK MPF 750 1 G1	G 2"	430	105,0	450	220	11,5	173,5	48,5	4,36

Accessories

HK MPF TE	Pipe extension for return flow filter MPF
HK VA MAN	Clogging indicator pressure gauge

Spare parts

HK MF P10 / A10	Filter element for return flow filter MPF
-----------------	---