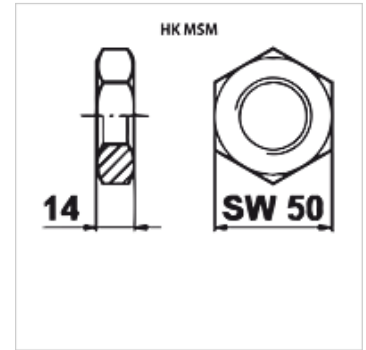
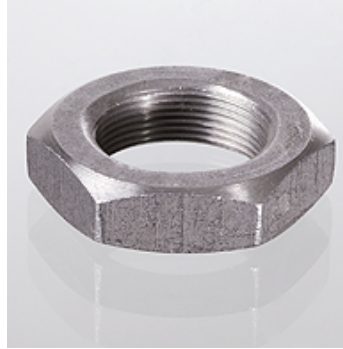


HK MSM

Lock nuts for diaphragm accumulator C

Properties

Use For diaphragm accumulator HK OLM C



Item

Identification	Thread	Weight (kg)
HK MS M33-15	M 33 x 1.5	0,05

Accessory for following products

HK OLM C Diaphragm accumulator, connection C