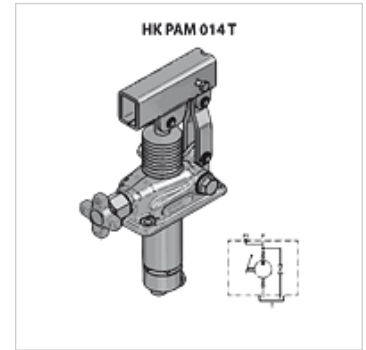


HK PAM 014 T

Manual pump for tank installation

Properties

Scope of supply	incl. seal and screw set
Material	Housing: cast iron, inner parts steel



Note

The pressure relief valves must be set according to the application.

Ordering information

Caution! Remember to order the hand lever HKPAM0290000!

Item

Identification	Thread	Vdh (ccm) (cc)	Design	p max. (bar)	Pressure (30)* (bar)	Weight (kg)
HK PAM 014 12 00	1x 3/8" AG	12	with manual drain	380	160	2,85
HK PAM 014 12 01	1x 3/8" AG	12	with manual drain and pressure relief valve	380	160	3,00
HK PAM 014 25 00	1x 3/8" AG	25	with manual drain	350	100	2,95
HK PAM 014 25 01	1x 3/8" AG	25	with manual drain and pressure relief valve	350	100	3,00
HK PAM 014 45 00	1x 3/8" AG	45	with manual drain	280	80	3,15
HK PAM 014 45 01	1x 3/8" AG	45	with manual drain and pressure relief valve	280	80	3,30

Vdh = conveying volume per double stroke – Pressure (30)= pressure with hand force 30 daN with standard lever

Accessories

HK PAM Hebel	Lever for PAM manual pump
HK PM0 022	Tank for PAM manual pump
HK PAM Faltenbalg	Bellows for PAM manual pump