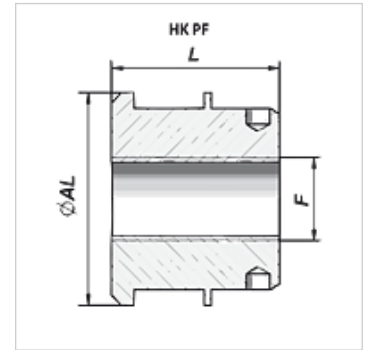


# HK PF

Inserted piston with plunger cylinder guide

## Properties

Material Steel 9SMn28



## Note

Suitable packing sets can be supplied on request.

## Item

Identification	Ø AL (mm)	F	L (mm)	Weight (kg)
HK PF 25	35	M 14x1.5	30	1,0
HK PF 30	40	M 20x1.5	30	1,0
HK PF 35	45	M 20x1.5	30	1,0
HK PF 40	50	M 20x1.5	30	1,0
HK PF 45	55	M 27x1.5	30	1,0
HK PF 50	60	M 27x1.5	30	1,0
HK PF 55	65	M 27x1.5	30	1,0
HK PF 60	70	M 27x1.5	30	1,0
HK PF 70	80	M 33x1.5	30	1,5
HK PF 80	90	M 42x1.5	30	1,5
HK PF 8048 15	90	M 48x1.5	30	1,6
HK PF 100	110	M 48x1.5	30	1,9
HK PF 100-1	120	M 48x1.5	30	2,5

## Accessories

HK FR Guide ring for inserted piston PF