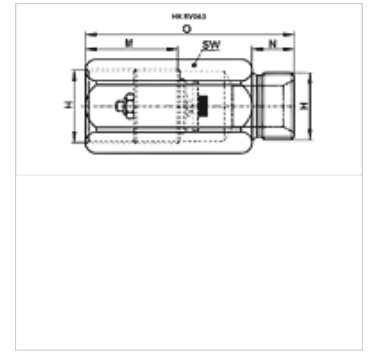


# HK RV063

Valve housing for line break safety valve

## Properties

Material	Steel
Operating pressure	max. 300 bar



## Note

Note: Line break safety valves must be set according to the application!  
Information on settings, see HK V1 601 line break safety valves

## Item

Identification	H	M (mm)	N (mm)	O (mm)	AF (mm)	Weight (kg)
HK RV063 0400	G 1/4"	28	12	50	19	0,07
HK RV063 0600	G 3/8"	31	13	58	24	0,10
HK RV063 0800	G 1/2"	33	14	62	27	0,17
HK RV063 1200	G 3/4"	40	16	75	32	0,20

## Accessory for following products

HK V1 601	Line break safety valve without housing
-----------	---