

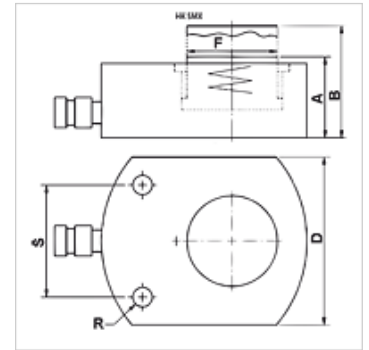
HK SMX

Flat cylinders 700 bar single-acting with spring retraction

HANSA FLEX

Properties

Design	Hardened valvehead hard chrome-plated pistons max. stroke 16 mm spring return
Operating pressure	max. 700 bar
Material	Steel
Scope of supply	with female quick coupling 3/8"-18 NPT



Note

Attention: Please observe separate safety precautions for working with 700 bar equipment (see technical information)!

Description

Flat cylinders combine compact design with maximum stroke. Ideal where space is at a premium.

Care must be taken that no lateral forces are transmitted to the guide rings.

Flat, compact design

Mounting bores for stationary applications

Item

Identification	(kN)	(t)	Stroke (mm)	Area (cm ²)	A (mm)	B (mm)	D (mm)	F (mm)	R	S (mm)	Volume (cc)	Weight (kg)
HK SMX 00406	43,8	4	6	6,4	32,5	38,5	41	25	5.5	28	4	0,85
HK SMX 00416	43,8	4	16	6,4	42,5	58,5	41	25	5.5	28	11	1,20
HK SMX 01011	99,7	10	11	14,5	43,0	54,0	56	38	6.5	37	16	1,60
HK SMX 02211	227,8	22	11	33,2	52,0	63,0	80	57	9.0	50	37	2,80
HK SMX 03013	287,3	30	13	41,8	59,0	72,0	95	60	11.0	52	55	4,10
HK SMX 05016	486,5	50	16	70,9	68,0	84,0	114	78	13.0	67	114	6,60
HK SMX 07516	712,9	75	16	103,8	79,0	95,0	140	95	13.0	75	167	12,50
HK SMX 10016	953,6	100	16	138,9	87,0	103,0	158	108	13.0	76	223	15,00
HK SMX 15016	1450,0	150	16	211,2	100,0	116,0	194	134	13.0	117	338	25,00

Accessories

NY 2100	Thermoplastic extreme pressure hose
GKS	Rubber antikink protection
PNY 2100 HN	Swage nipple, AGN
PHY 2100	Swage ferrule, NY 2100
SKL HN SP	Screwed coupling, loose half
SKL ZUBS SP	Dust protection for SKL...SP
SKF IN SP	Screwed coupling fixed half
SKF ZUBS SP	Dust protection for SKF...SP