

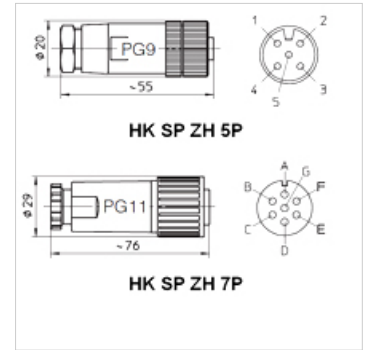
HK SPZ

Electrical connector for proportional valves

HANSA FLEX

Properties

Design	Straight connector with screw connection
Operating temperature	-40 °C to +85 °C
Material	Housing: Polyamide Contacts: CuZn
protection class	IP 67



Item

Identification	Colour	Design	Weight (kg)
HK SPZ H5 P	black	M12, IEC60947, 5-pole, for proportional valves with digital electronic driver HK EMI AS IR	0,15
HK SPZ H7 P	black	DIN43563, 7-polig, for proportional valves integrated electronics	0,10

Accessory for following products

HK DLHZO TE	Proportional solenoid-operated directional control valve size 6
HK DLKZOR TE	Proportional solenoid-operated directional control valve size 10
HK RZMO AE 030	Proportional pressure relief valve size 6
HK RZGO AE 033	Proportional pressure reducing valve size 6