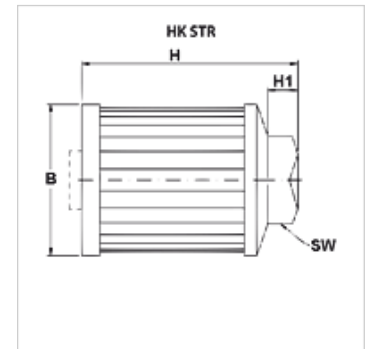
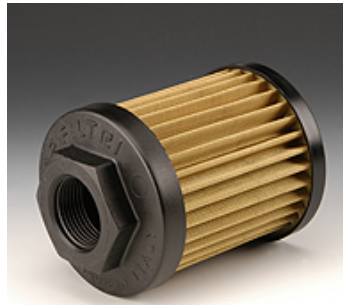


HK STR

Suction filter element

Properties

Design without bypass valve
M90: with wire mesh (90 µm), absolute filtration



Description

These filters protect hydraulic pumps from coarse dirt from the tank. They are flush-mounted the tank.
Design (Qmax.) for medium ISO VG 46
at 50°C (30 mm²/s) at Δp = 0.08 bar

Ordering information

Available on request: Other filter mesh sizes, other threads, filter with bypass or magnet

Item

Identification	Filter area (cm ²)	Thread	H (mm)	H1 (mm)	Q max. (L/min)	B (mm)	AF (mm)	Weight (kg)
HK STR 050 1 S M90	290	G 3/8"	78	10	20	52	30	0,16
HK STR 050 2 S M90	290	G 1/2"	78	10	28	52	30	0,16
HK STR 070 1 S M90	470	G 1/2"	95	10	28	70	42	0,22
HK STR 070 2 S M90	470	G 3/4"	95	10	66	70	42	0,22
HK STR 070 3 S M90	720	G 3/4"	140	10	66	70	42	0,30
HK STR 070 4 S M90	720	G 1"	140	10	130	70	42	0,30
HK STR 100 1 S M90	1046	G 1.1/4"	135	15	170	99	69	0,47
HK STR 100 2 S M90	1850	G 1.1/4"	225	15	170	99	69	0,68
HK STR 100 3 S M90	1850	G 1.1/2"	225	15	250	99	69	0,68
HK STR 100 4 S M90	1850	G 2"	225	15	470	99	69	0,68
HK STR 100 5 S M90	1046	G 1.1/2"	135	15	250	99	69	0,47
HK STR 140 2 S M90	2000	G 2"	160	15	470	130	70	0,84
HK STR 140 3 S M90	3550	G 2"	262	15	470	130	70	1,25
HK STR 140 4 S M90	3550	G 2.1/2"	270	20	840	130	101	1,25
HK STR 140 5 S M90	3620	G 3"	270	20	980	130	101	1,25
HK STR 140 6 S M90	4160	G 3"	330	20	980	130	101	1,30

Qmax - max intake volumetric flow