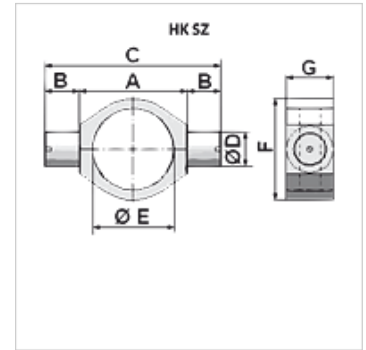


HK SZ

SZ swivel pin

Properties

Material ST 52.3 (FE510)



Note

Tolerance $\varnothing E \leq 100$: +0.2; Tolerance $\varnothing E > 100$: +0.4

Body and pins are delivered separately and need to be welded together

Item

Identification	A (mm)	B (mm)	C (mm)	F (mm)	G (mm)	$\varnothing D$ (mm)	$\varnothing E$ (mm)	Weight (kg)
HK SZ 80	132	40	212,0	133	50	40	95	3,8
HK SZ 100	160	50	260,0	159	65	50	115	5,1