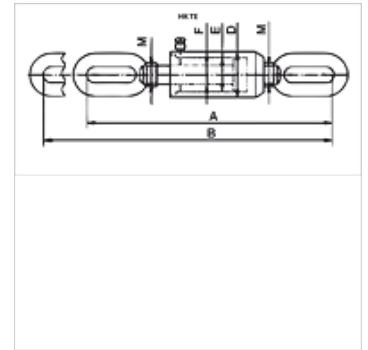


HK TE

Traction cylinders 700 bar

Properties

Design	hard chrome-plated pistons max. stroke 150 mm
Operating pressure	max. 700 bar
Material	Steel
Scope of supply	with female quick coupling 3/8"-18 NPT



Note

Attention: Please observe separate safety precautions for working with 700 bar equipment (see technical information)!

Description

For applications in which tensile forces are required.
Optional protective metal bellows (stroke 30 mm shorter)
Plunger wiper seals to prevent soiling

Item

Identification	Stroke		Area (cm ²)	A (mm)	B (mm)	D (mm)	E (mm)	F (mm)	M	Volume (cc)	Weight (kg)	
	(kN)	(t)										
HK TE 01015	93,2	10	150	13,5	576	726	86	55	36	M30 x 2	204	14,9
HK TE 03015	301,8	30	150	43,9	723	873	125	90	50	M40 x 2	660	32,0

Accessories

NY 2100	Thermoplastic extreme pressure hose
GKS	Rubber antikink protection
PNY 2100 HN	Swage nipple, AGN
PHY 2100	Swage ferrule, NY 2100
SKL HN SP	Screwed coupling, loose half
SKL ZUBS SP	Dust protection for SKL...SP
SKF IN SP	Screwed coupling fixed half
SKF ZUBS SP	Dust protection for SKF...SP