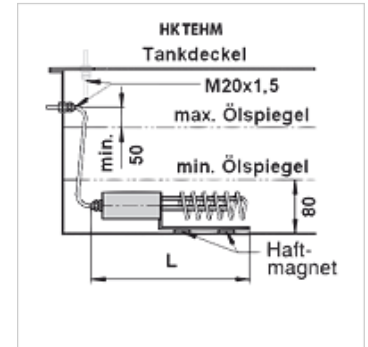


### Properties

<b>Design</b>	internal temperature controller (preset at 20°C)
<b>Scope of supply</b>	incl. connection cable 3-pole and cable entry M20x1.5
<b>Use</b>	for preheating of hydraulic oil



### Description

For horizontal or vertical installation below the oil surface  
 Simple retrofitting in existing tanks, no draining of the oil necessary  
 Switching precision  $\pm 3\%$   
 Surface load 1.2 W/cm<sup>2</sup> for hydraulic oils

### Item

Identification	Heating capacity (W)	Immersion depth (mm)	L (mm)	Voltage	Weight (kg)
HK TEHM 1000	1000	1000	400	230 V	1,65