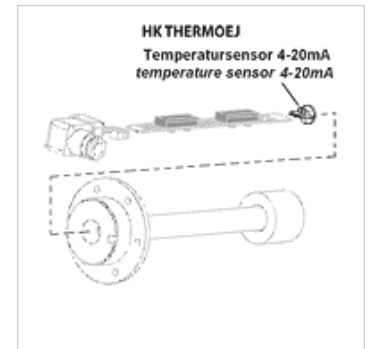
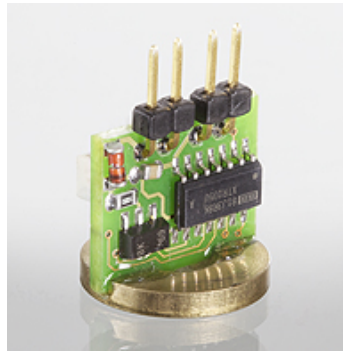


HK THERMO EJ

Temperature transmitter for level/temperature switch

Properties

Design	temperature transmitter with PT 100
Operating voltage	24 V DC
Use	for Level-Temperature Switches HK 64EJ



Note

Installation and assembly must be carried out by qualified staff.

Level contacts or temperature sensors must be connected to the contact plate clean and free of oil.

For the proper function of the temperature sensors it is important that they have contact to the bottom of the dip tube without air gap. Make sure that the contact plate is inserted completely and fixed in the dip tube.

Description

Output signal 4 to 20 mA

For mounting on contact strip of level-temperature switch HK64EJ

Item

Identification	Weight (kg)
HK THERMOLOG 4EJ	0,2

Accessory for following products

HK 64EJ	Level/temperature switch HK 64EJ
---------	----------------------------------