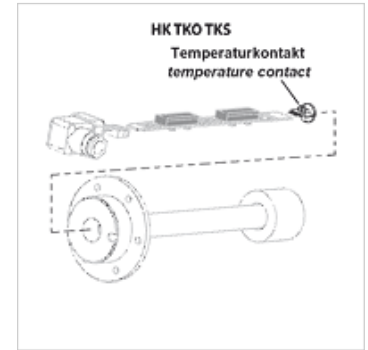


HK TKO / TKS

Temperature contact for level/temperature switch

Properties

Contact load max.	24 VA
Switching current max.	1,0 A
Hysteresis	10 K ± 3 K
Use	for Level-Temperature Switches HK 64EJ



Note

Installation and assembly must be carried out by qualified staff.

Level contacts or temperature sensors must be connected to the contact plate clean and free of oil.

For the proper function of the temperature sensors it is important that they have contact to the bottom of the dip tube without air gap. Make sure that the contact plate is inserted completely and fixed in the dip tube.

Description

For mounting on contact strip of level-temperature switch HK64EJ

Item				
Identification	Switching point (°C)	Voltage	Switching function	Weight (kg)
HK TKO 50 RD EJ	50	24 V	NC contact	0,01
HK TKO 60 RD EJ	60	24 V	NC contact	0,01
HK TKO 70 RD EJ	70	24 V	NC contact	0,01
HK TKO 80 RD EJ	80	24 V	NC contact	0,01
HK TKS 50 RD EJ	50	24 V	NO contact	0,01
HK TKS 60 RD EJ	60	24 V	NO contact	0,01
HK TKS 70 RD EJ	70	24 V	NO contact	0,01
HK TKS 80 RD EJ	80	24 V	NO contact	0,01

Accessory for following products

HK 64EJ	Level/temperature switch HK 64EJ
---------	----------------------------------