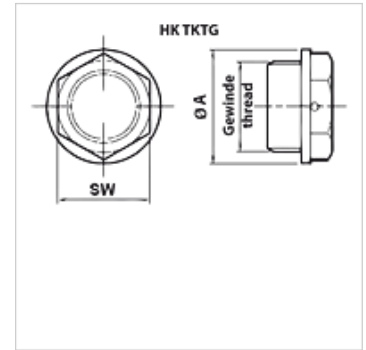


HK TKT G

Sealing cap

Properties

Design	without ventilation
Temp. range	-25° C to +100° C
Material	Plastic



Item

Identification	Thread	External Ø (mm)	AF (mm)	Labelling	Weight (kg)
HK TKT G20 NOASF	G 1/2"	28	22	OIL	0,05